

# Stenhøj Maestro 2.37 F & CF



## 2-post asymmetric electro-mechanical lifts

Maestro 2.37 has been developed to offer high flexibility and optimized lifting capacity for workshops servicing both small cars, transporters and pick-up trucks.

### Advantages

- lifting height of 2020 mm
- lifting time of 35 seconds (400 V)
- parallel-parked arms - easy and quick positioning of small vehicles
- asymmetric construction - easy exit from vehicle
- double-telescopic short arms - very flexible
- CF-model suitable for up to LT long
- F-model suitable for Smart up to LT long (with 200 mm extensions)

### Top safety

- nut breakage system
- obstruction system
- internal automatic arm locking device
- electronic synchronization system
- alarm signal

### Quality

- spindle cold-rolled for very long life
- 6 large guiding wheels in lubrication-free ball bearings
- the most durable nut set on the market
- electro-static powder coating
- totally closed post guarantees best protection of nut and spindle



## STENHØJ

STENHØJ AUTOLIFT A/S

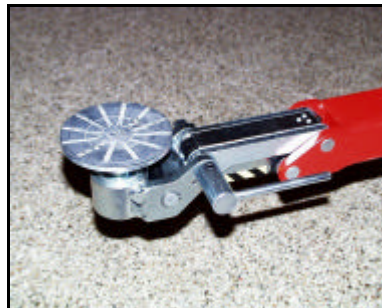
DK-7150 Barrit

Phone: +45 7682 1330

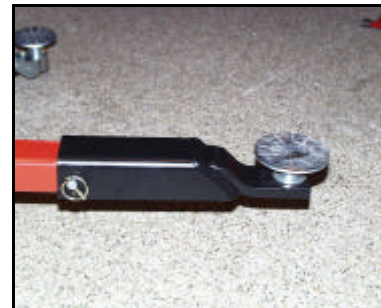
Fax: +45 7682 1331

[www.stenhoj.dk](http://www.stenhoj.dk)

E-mail: [autolift@stenhoj.dk](mailto:autolift@stenhoj.dk)



CF - suitable for up to LT long

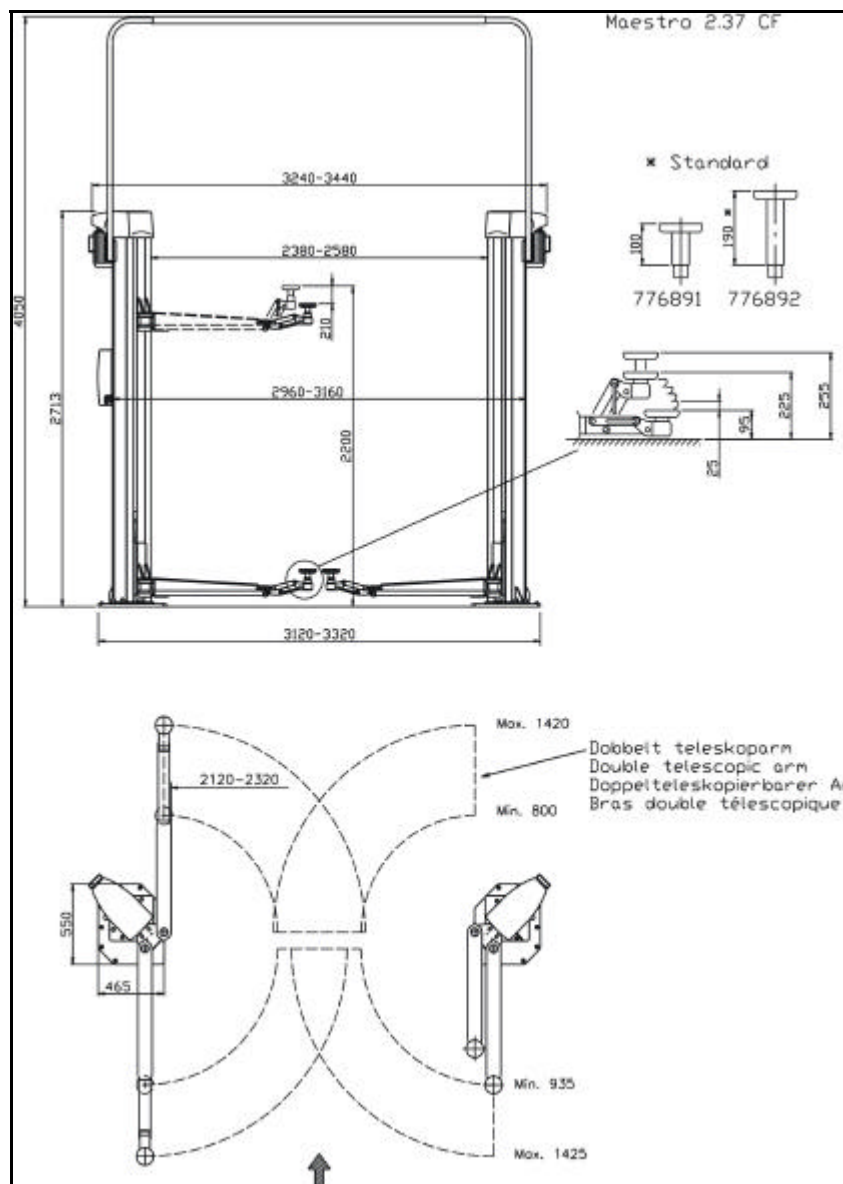
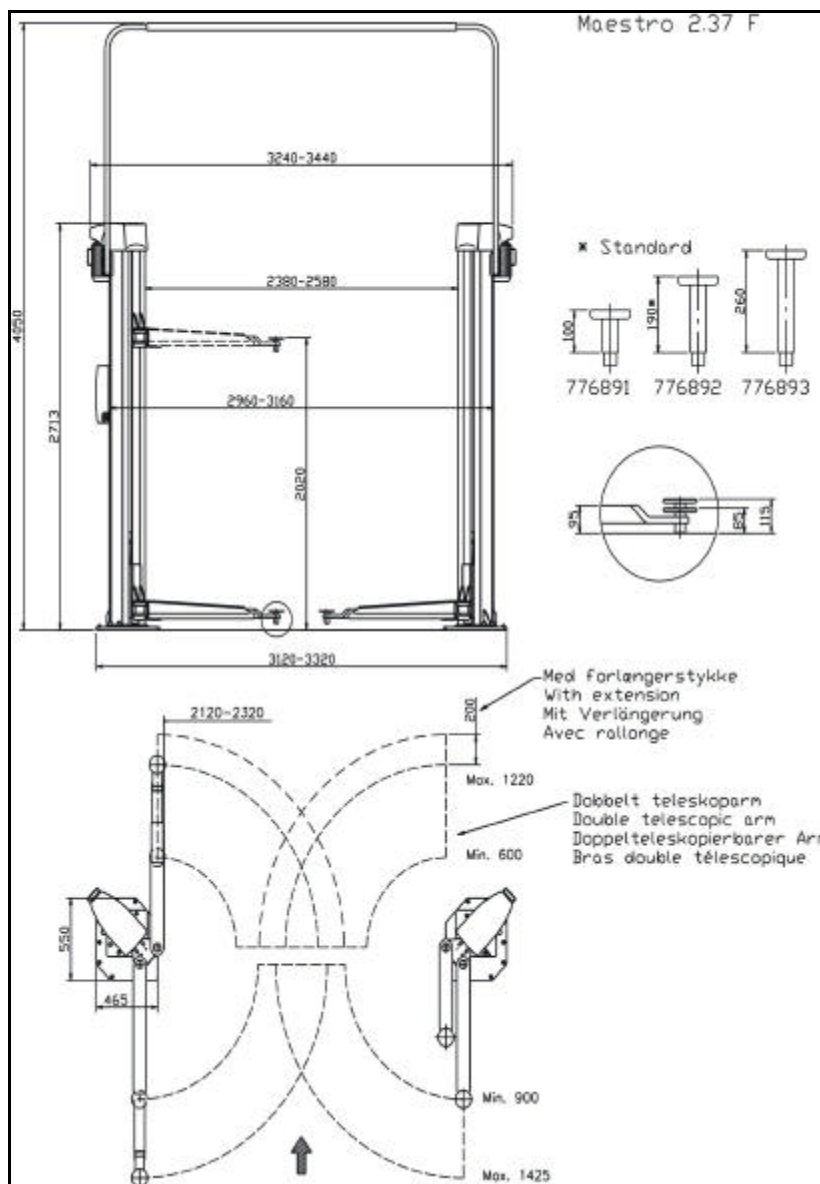


F - suitable for Smart up to LT Long (with extension)



Internal automatic arm locking device

# Stenhøj Maestro 2.37 F & CF



## Technical data:

Lifting capacity:	3700 kg
Lifting time:	35 sec.
Motor:	2 x 2.8 kW

## Design

- elegant control box
- slim, but sturdy posts
- sophisticated motor covers

## Optional extras:

Set of 200 mm extensions for F-version, expansion bolts, lighting set, tool trays, extra control box, a large program of U- and flex pads.

## Corrosion-proof surface treatment:

All Stenhøj lifts are led through a sling purifying plant (according to SA 2.50 - ISO-Norm 8501-1: 1988), dipped in primer, and finally led through an electro-static powder bake plant.

## Standard colours:

Red RAL 3013  
White RAL 9002  
Special colour combinations on request.